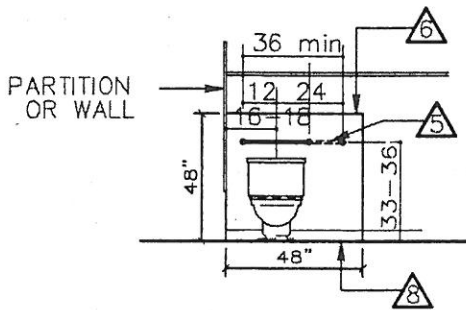
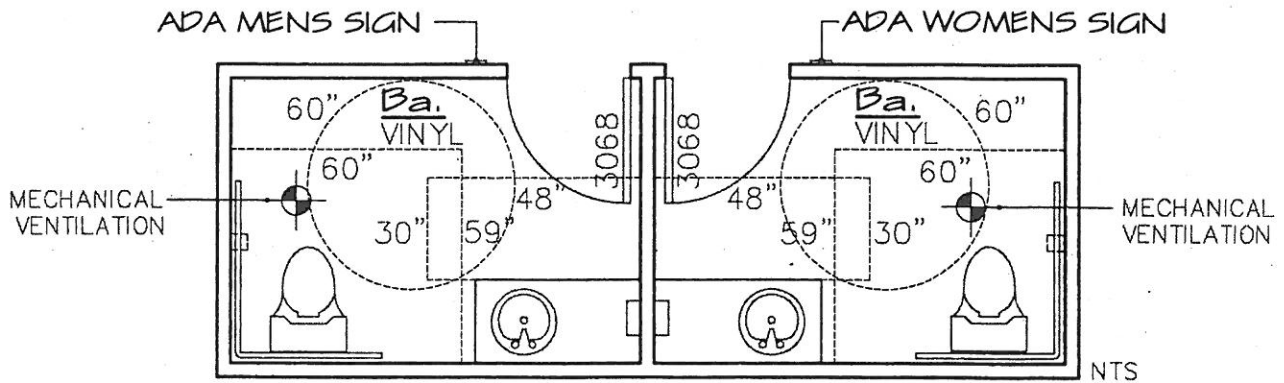




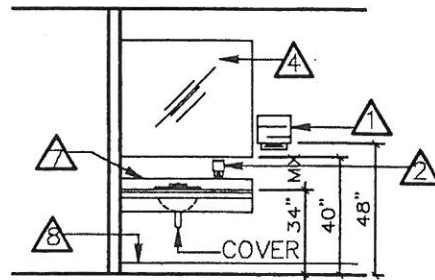
City of SeaTac
 4800 South 188th St.
 SeaTac, Wa 98188-8605

ADA RESTROOM REQUIREMENTS



GRAB BARS AT BACK WALL

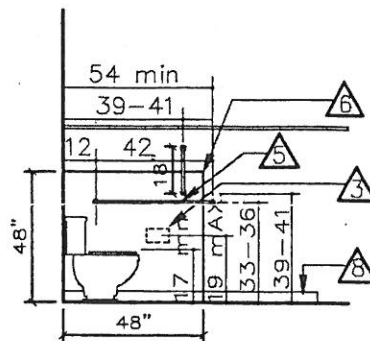
NTS



SINK DETAIL AT FRONT WALL

NTS

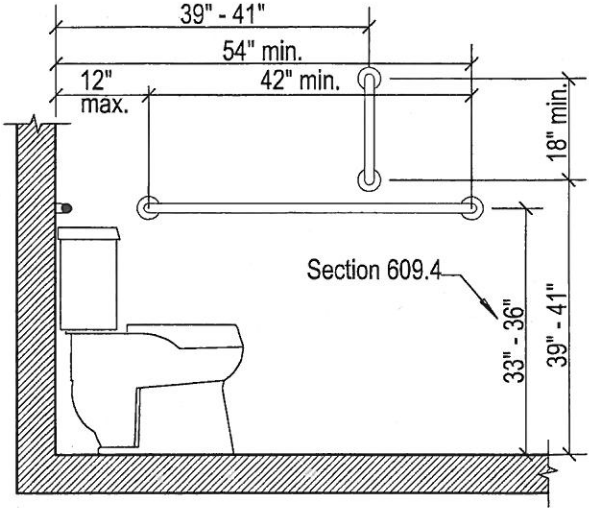
- ① PAPER TOWEL DISP. 40" MAX. ABOVE FLR
- ② SOAP DISP.
- ③ TOILET PAPER DISP. 15-19" ABOVE FLOOR
- ④ MIRROR 40" MAX. ABOVE FLOOR
- ⑤ GRAB BAR, 1-1/2" DIA X 48" SS CONCEALED
- ⑥ PLASTIC LAM. OR TILE BASE ON MEN & WOMENS RESTROOM (SAME SEX) 48" HIGH EACH SIDE OF TOILET
- ⑦ 6" PLASTIC LAM. BACKSPLASH
- ⑧ VINYL OR TILE BASE EXTEND UPWARD MIN 6"



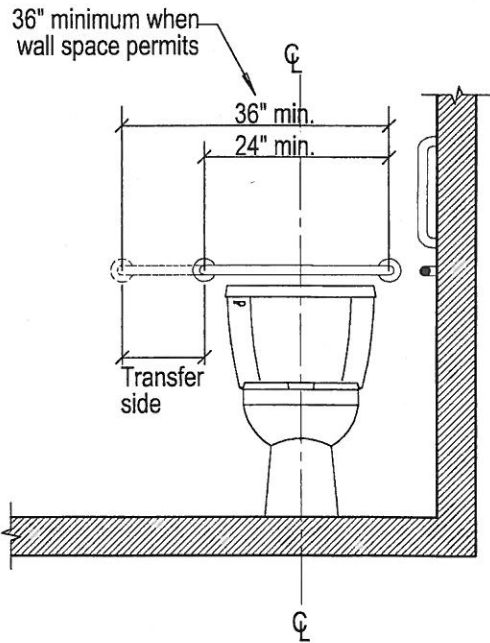
GRAB BARS AT SIDE WALL

NTS

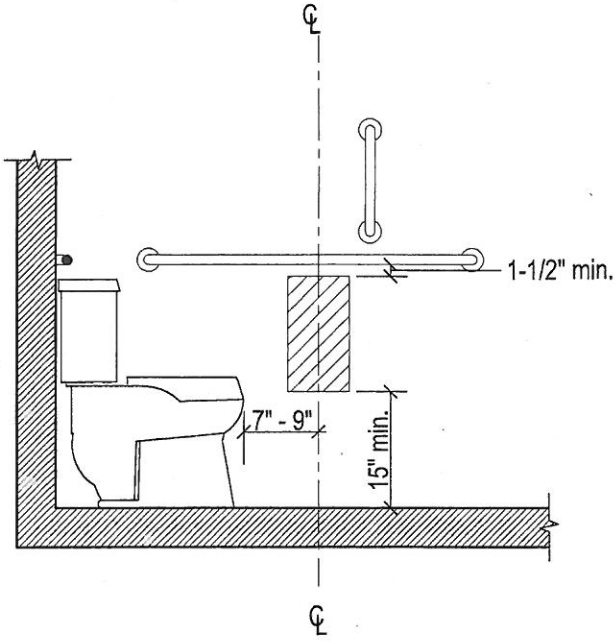
Restrooms



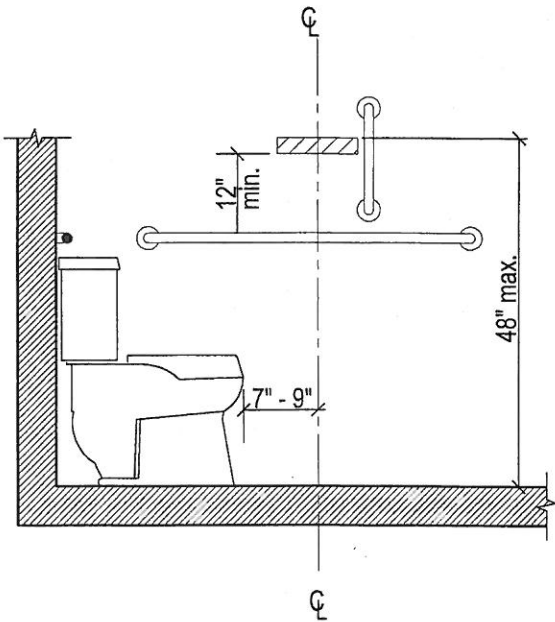
**Side Wall Grab Bar
for Water Closet**



**Rear Wall Grab Bar
for Water Closet**



**Dispenser Location
Below Grab Bar**



**Dispenser Location
Above Grab Bar**